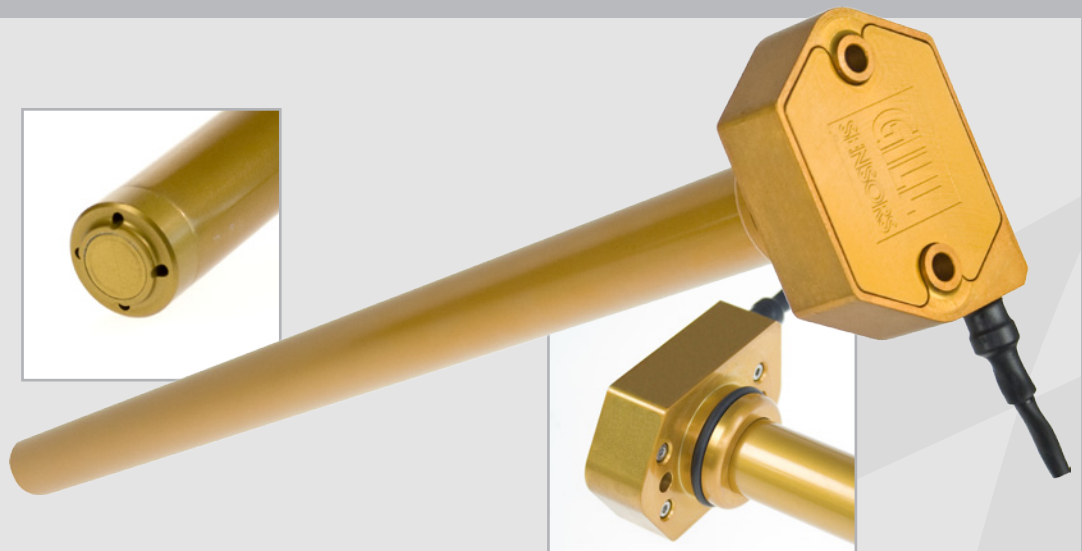




IRL Ethanol Collector Level Sensor



Key Features

- No Moving Parts
- High Accuracy
- Race Proven
- Thermally Stable
- Fully Submersible
- Lightweight
- Fully Configurable Output
- Custom Sensor Length

The IRL Ethanol Collector Level Sensor has been specifically designed for IRL fuel collector installations. Each sensor can be totally immersed in IRL grade ethanol ensuring the entire fuel depth measurement of the collector can be monitored. This sensor is available with either a flying lead or integrated Deutsch ASU connector and is manufactured to an exact length requested by individual teams.

As with all Gill Motorsport Liquid Level Sensors, the IRL Collector Sensor is a solid-state capacitive device with no moving parts. The sensors weigh as little as 80g (dependant on length) and offer repeatable, highly accurate performance. Each sensor is factory calibrated for the fuel type used, but is also supplied with free ProbeMON software to allow for re-calibration by the user, if desired.



Specification

Electrical

Supply Voltage	+5VDC to +24VDC
Supply Current	<10mA @12V
Serial Interface	RS232
Resolution	10 bit
Sample Rate	40Hz

Analogue Output

Voltage Output Range	0.25V - 4.75V over sensing range or customer specified, fully configurable
Range Accuracy	±0.5% of fuel depth @20°C

Wiring

Wire/Connector	Flying lead or integrated Deutsch ASU 0-03-05PN connector
Wiring Gauge (flying lead version)	26 AWG
Cable Material Compatibility	Wiring sleeved with RW-200E Fluorocarbon

Mechanical

Probe Length	0 - 700mm (customer to specify)
Mounting	Refer to drawings overleaf
Weight	From only 80g (dependant on length)

Environmental

Protection Class	IP68
Operational Temperature	0°C to 125°C
EMC Immunity Level	SAE J1113/2 1996 design guideline
Vibration	15g RMS (24-2000Hz) & SAE J1455 design guidelines used
Finish	Anodised to DEF STAN 025

BioFuels

Compatible Medium	Methanol Ethanol E100, E85, E50, E10 Please consult Gill for other biofuel compatibilities
-------------------	--

Gill also offers a level sensor designed for IRL pit-lane refuelling tanks. Please contact us for details.

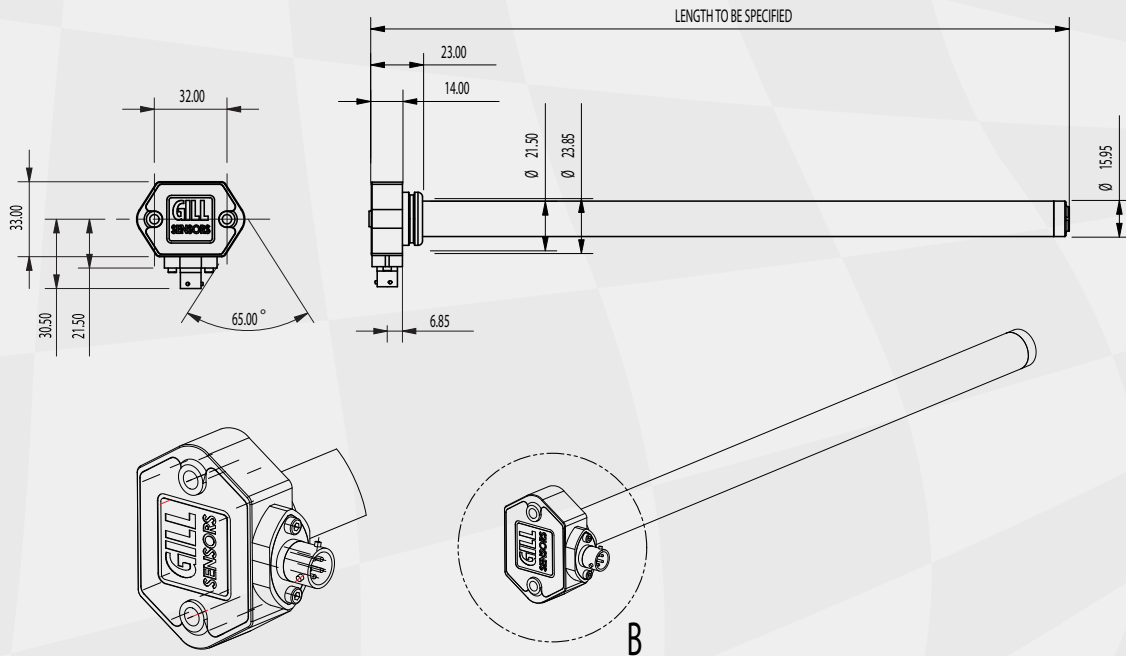
IRL Ethanol Collector Level Sensor



Dimensions

Gill IRL Ethanol Collector Level Sensors are available with flying lead or integrated Deutsch ASU connector. Please see below for general assembly dimensions.

Connector Version - Part No. 1705-00-030



Flying Lead Version - Part No. 1705-00-020

